

Installation Guide

SpanAir™ Hook-On Plank

(For Interior installations only)

Introduction

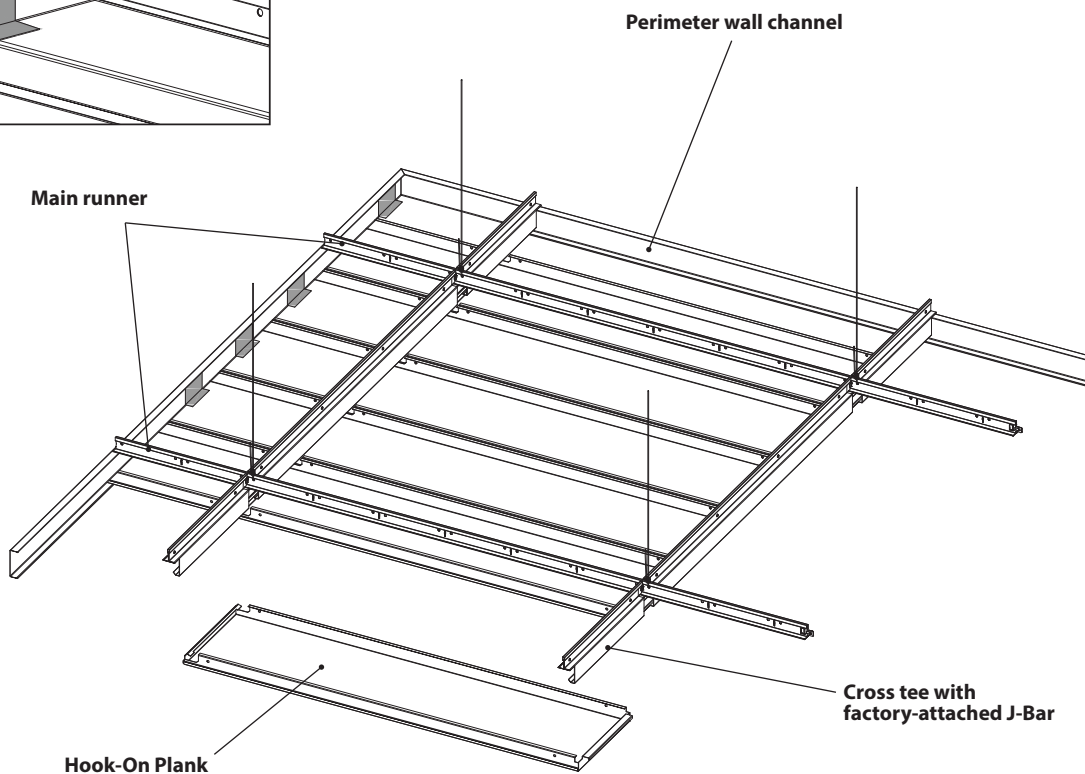
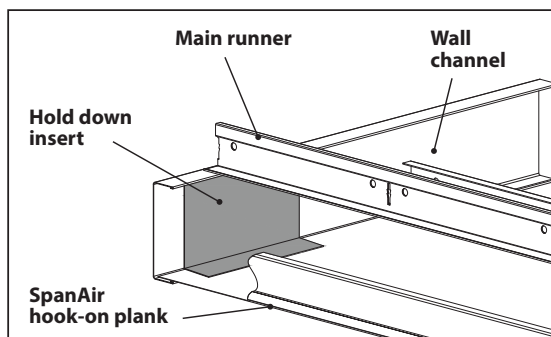
Please read these instructions completely before beginning the installation of this metal ceiling system. Always follow good safety practices when installing ceilings. Prior to beginning installation ensure that all materials are received and in good condition. Record any shipping damage on the carrier's bill of lading and contact ROCKFON immediately to order replacement material by emailing cs@rockfon.com. Fax replacement material orders, including a purchase order number to 866.211.3824. For technical questions, contact Tech Services 800-323-7164, prompt 3.

Tools needed:

- Slot screwdriver
- Phillips screwdriver
- Tape measure
- Level or leveling device (laser)
- Circular Saw
- Band Saw
- Pencil or marker
- Clean gloves
- Aviation snips

Reference Documentation

- Reflected ceiling plans (RCP)
- Project specifications
- Approved shop drawings (if applicable)
- Datasheet ([website](#))
- Rockfon system drawings ([website](#))
- ASTM C636 ([reference document available from ASTM](#))

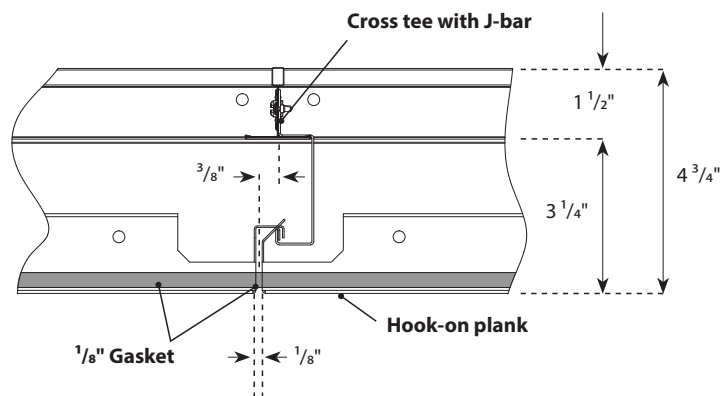


SpanAir™ Hook-On Plank

(For Interior installations only)

1. Description and components

- 1.1 SpanAir™ Hook-On Plank is a metal ceiling system where the length of the planks is greater than twice the width. SpanAir planks are manufactured of high recycled content aluminum. This system has been designed so that the SpanAir planks conceal the grid components when the product is properly installed. SpanAir Hook-On planks are available in standard sizes; 9 to 24 inches in width. Available lengths are from 48 inches to 120 inches.
- 1.2 SpanAir Hook-On planks (Fig. 1.1) are supported by galvanized steel suspension main runners (Fig. 1.2) and cross tees with a factory-attached J-bar (Fig. 1.3, 1.4 & 1.5) to accommodate the interlocking hook-on ends of the plank.
- 1.3 SpanAir plank installations that finish at the wall are trimmed out by wall channel (Fig. 1.6), wall angle or perimeter trim components.



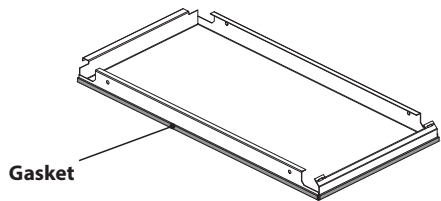
Installation Guide

SpanAir™ Hook-On Plank

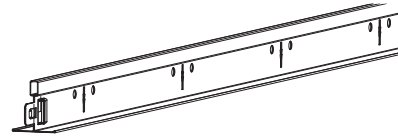
(For Interior installations only)

1. Description and components (cont.)

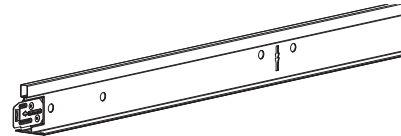
1.1 Plank



1.4 Cross-tee



1.5 J-bar



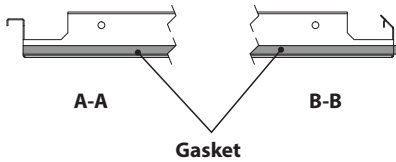
1.2 Main runner



A-A

B-B

SpanAir hook-on plank

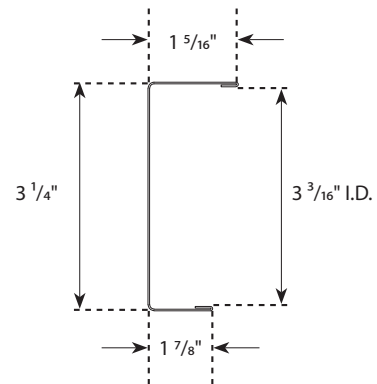


A-A

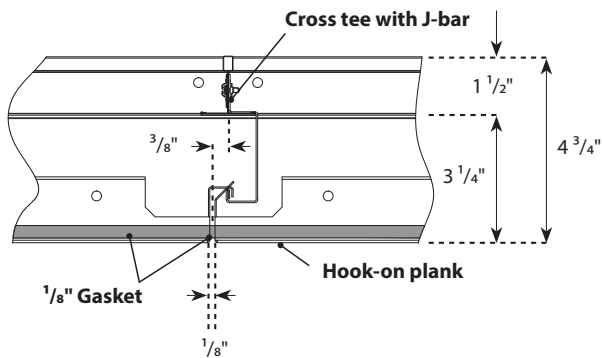
B-B

Gasket

1.6 3 5/16" channel



1.3 Cross-tee with J-bar



Cross tee with J-bar

1 1/2"

4 3/4"

3/8"

3 1/4"

1/8" Gasket

Hook-on plank

1/8"

Installation Guide

SpanAir™ Hook-On Plank

(For Interior installations only)

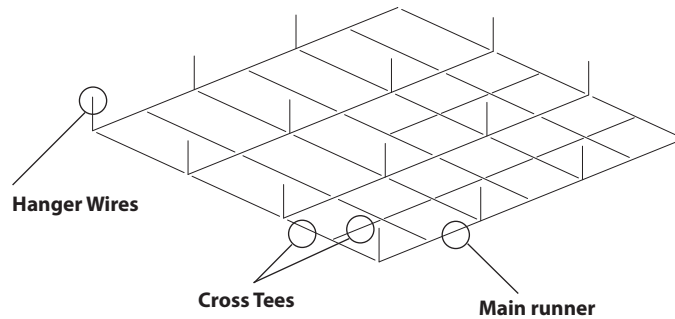
2. Suspension system installation

- 2.1 Layout of the suspension should be detailed in the project construction drawings.
- 2.2 Installation of the suspension must conform to all local building codes and standards in every respect. Please refer to ASTM C636 for additional information.
- 2.3 Main runners are to be installed 4' on center and supported by minimum 12 gage hanger wire spaced at no more than 4' centers along the length of each main runner.

- 2.4 Cross tees with J-bar (4') must be installed in consecutive rows to match plank length.
 - 2.4.a Add additional cross tees at midpoint of J-bar cross tees.
 - 2.4.b Additional 4' cross tees may be required to provide support for lighting fixtures or other accessories mounted in the ceiling. The weight of accessories must NOT exceed the load carrying capabilities of system.

NOTE: The seam of the J-bar is 5/8" offset from the plank seam.

2.1 - Position Hanger Wire



Installation Guide

SpanAir™ Hook-On Plank

(For Interior installations only)

3. Installation Perimeter Treatment

3.1 Perimeter Treatment at Wall

Note: Install wall channel prior to suspension.

Secure the specified perimeter treatment at the proper elevation on the walls as required by the construction drawings. This perimeter treatment will support the Hook-On planks that terminate at the wall.

3.2 Floating installations

Note: Minimum 6" Infinity recommended for SpanAir Hook-On Plank System.

- 3.2.a Cut suspension grid components to required length then install grid suspension per section 2.
- 3.2.b Attach additional hanger wires as required to each suspension component. Each main runner and cross tee must have a hanger wire no more than 12" from the cut end.

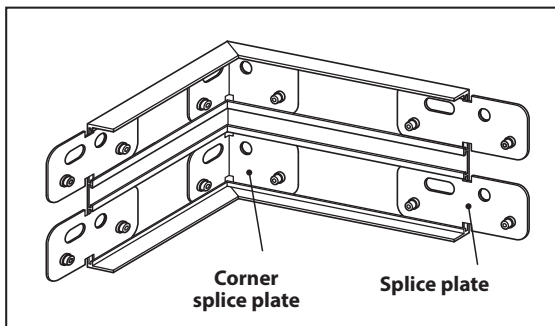
3.2.c Cut the perimeter trim then miter corners as required for proper installation.

3.2.d Attach suspension components to the perimeter trim using the provided grid attachment brackets (this sets the height of the Infinity trim). Screw Infinity to top of bracket.

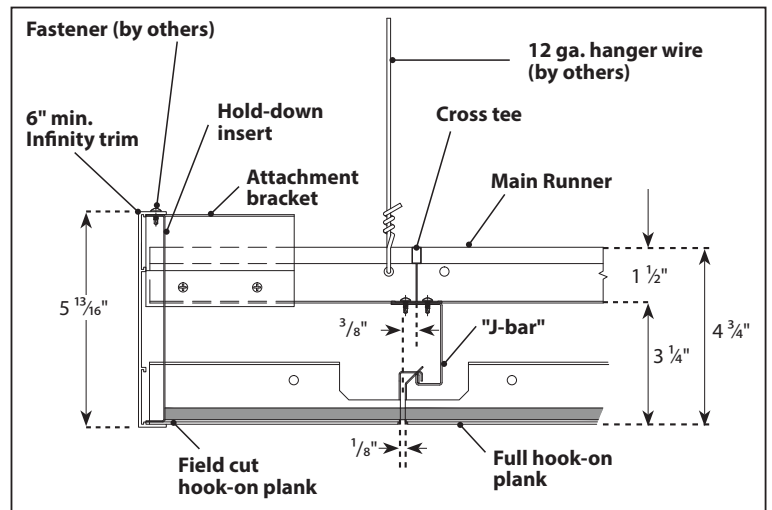
3.2.e Connect straight and mitered sections of extruded perimeter trim (6" shown) with splices provided.

3.2.f Install perimeter planks and hold down inserts first, then install full plank per section 4.2.

3.1 Isometric detail



3.2 Infinity interface



SpanAir™ Hook-On Plank

(For Interior installations only)

4. Plank Installation

Note: Plank installation is a progressive installation; install all perimeter planks first; planks are not accessible at the perimeter.

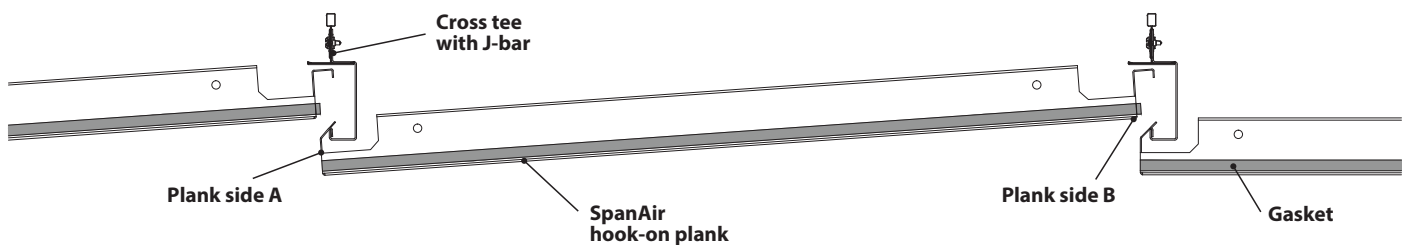
4.1 Plank installations terminating at walls

- 4.1.a Secure the specified perimeter treatment at the proper elevation on the walls as required by the construction drawings. This perimeter treatment will support the planks that terminate at the wall.
- 4.1.b Attach the main runners and cross tees by attaching the straight cut end to the top leg of the perimeter channel (fastened from below).
- 4.1.c Determine plank orientation, field cut and install plank onto channel bottom leg. Install hold down insert to keep plank in place.

4.2 Full plank installation

- 4.2.a Install full size planks by resting plank side A on the J-bar. Plank side B should be allowed to rest in the notched area of the adjoining plank.
- 4.2.b Verify alignment of the planks by pulling a string along the length of the ceiling, then check plank alignment.
- 4.2.c A factory-installed gasket is located on two sides of the plank to allow for installation ease, anti-vibration and easier plank removal.
- 4.2.d Plank removal or access to the plenum is achieved by lifting and then shifting forward one end of the hook-on plank. Hold the plank in place as the opposing end will drop down for complete plank removal.

4.1 Section of full plank installation



Installation Guide

SpanAir™ Hook-On Plank

(For Interior installations only)

5. Cleaning

- 5.1 Select a mild, non-abrasive cleaning agent typically used for cleaning painted or reflective surfaces. Never use abrasive cleaning agents as such treatments may scratch, mar, alter, discolor, and/or remove the finish.
- 5.2 Before cleaning the finish, perform a trial test on a section of the finish that will be hidden from view once installed. This will insure that the cleaning agent selected is appropriate and will not damage the finish in question.
- 5.3 Once an appropriate cleaning solution has been selected, care should be taken to use only that amount which is necessary. Do not soak the ceiling components with the solution.
- 5.4 Use a clean soft sponge or cloth when applying the cleaning agent in order to insure that the applicator does not contain any abrasive elements that may damage the finish in question.
- 5.5 Any excess cleaning solution should be removed immediately so that the solution does not dry and possibly leave a residue. In the event that a large area needs to be cleaned, it's advisable to break the area down into smaller, more manageable sections so that adequate time is available to complete each phase of the cleaning cycle.
- 5.6 After cleaning the soiled or smudged area, wipe the surface with a dry soft cloth to remove any residual cleaning solution and dry the area. Use a clean damp cloth to remove any residue that cannot be removed with the dry cloth. Repeat the drying process.
- 5.7 After the components are clean, allow a few minutes for air drying before installation. It is important that the clean components are dry because other ceiling material, such as insulation, which may come into contact with the cleaned components, can be susceptible to damage from moisture.