

Installation Guide

SpanAir™ Torsion Spring Panel

(For Interior installations only)

Introduction

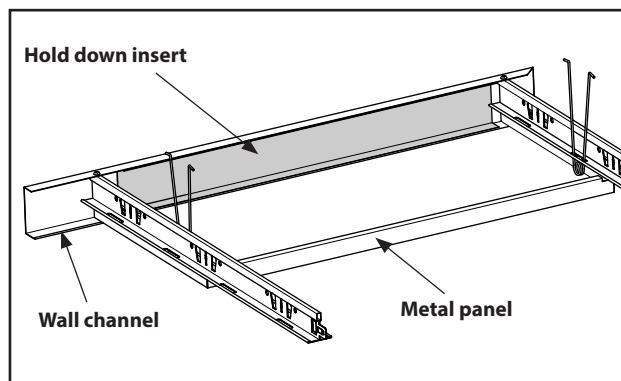
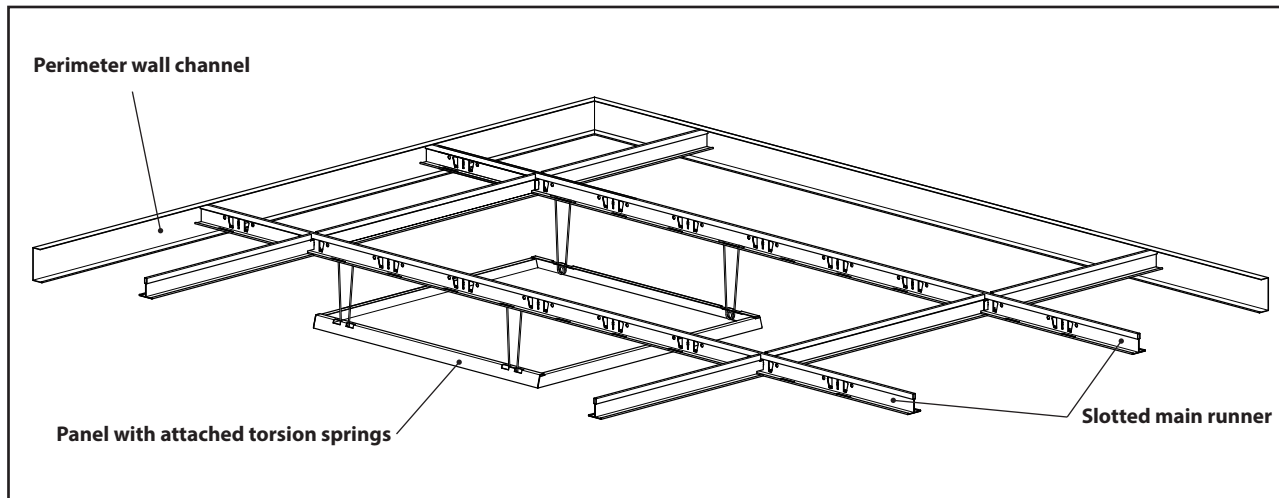
Please read these instructions completely before beginning the installation of this metal ceiling system. Always follow good safety practices when installing ceilings. Prior to beginning installation ensure that all materials are received and in good condition. Record any shipping damage on the carrier's bill of lading and contact ROCKFON immediately to order replacement material by emailing cs@rockfon.com. Fax replacement material orders, including a purchase order number to 866.211.3824. For technical questions, contact Tech Services 800-323-7164, prompt 3.

Tools needed:

- Slot screwdriver
- Phillips screwdriver
- Tape measure
- Level or leveling device (laser)
- Band saw
- Circular saw
- Marking tool (pencil)
- Clean gloves
- Aviation snips
- Panel removal tool

Reference Documentation

- Reflected ceiling plans (RCP)
- Project specifications
- Approved shop drawings (if applicable)
- Datasheet ([website](#))
- Rockfon system drawings ([website](#))
- ASTM C636 ([reference document available from ASTM](#))

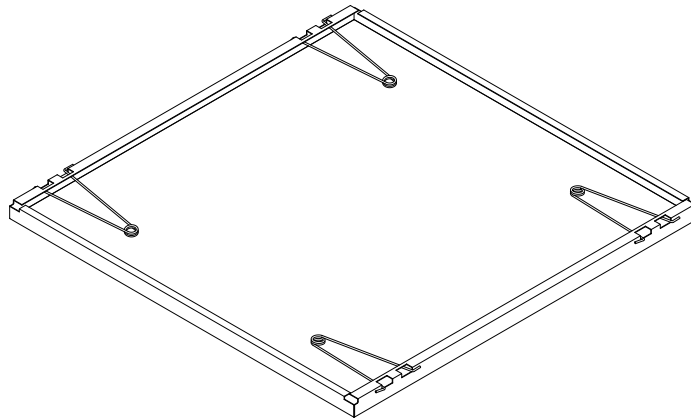


SpanAir™ Torsion Spring Panel

1. Description and Components

- 1.1 SpanAir™ Torsion Spring metal ceiling panels contain galvanized steel springs, designed to allow downward accessibility of the panels. SpanAir Torsion Spring panels are manufactured of high recycled content aluminum.
- 1.2 This system installs in specially slotted 1 3/8" suspension grid components that receive the torsion springs. This panel system conceals the suspension grid when properly installed.
- 1.3 SpanAir Torsion Spring panels are available in standard sizes with an EZ Spring™ design that nests the springs for shipping and ease of installation. Standard sizes of 24" x 24" and 24" x 48" are available along with modified standard sizes.

1.1 SpanAir Torsion Spring metal panel



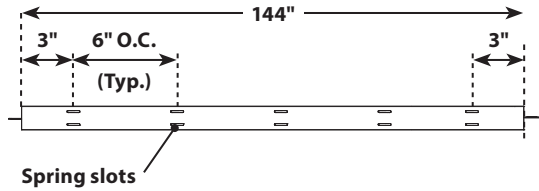
Installation Guide

SpanAir™ Torsion Spring Panel

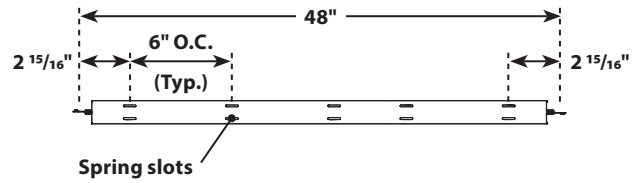
1. Description and Components (cont.)

Main Runner available with or without Spring Slots.
Shown below with Spring Slots.

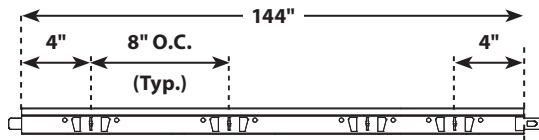
1.2 Main Runner - bottom view



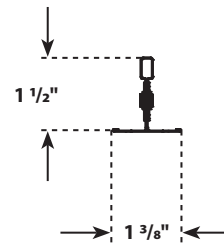
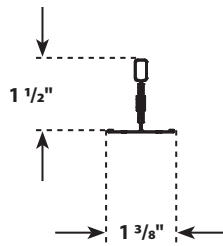
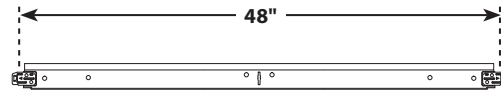
1.3 Cross Tee - bottom view



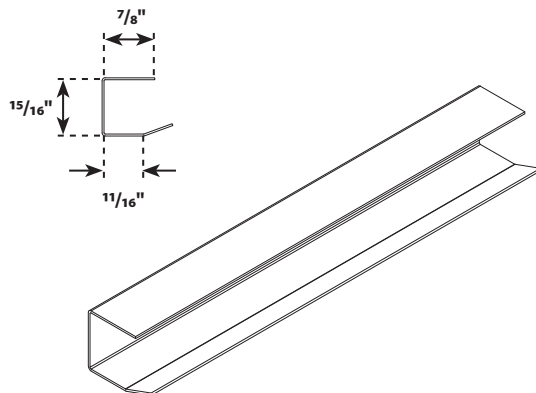
Main Runner - side view



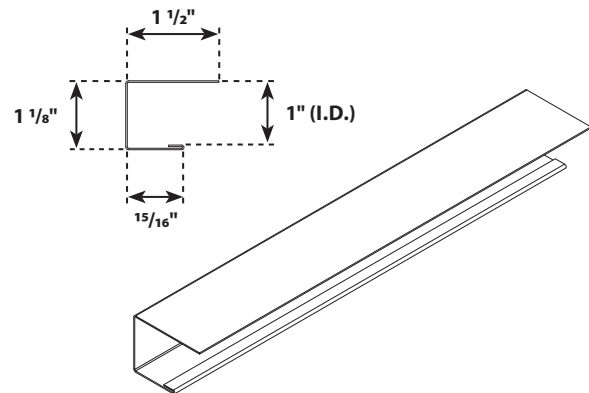
Cross Tee - side view



1.4 Hold down clips



1.5 Wall channel

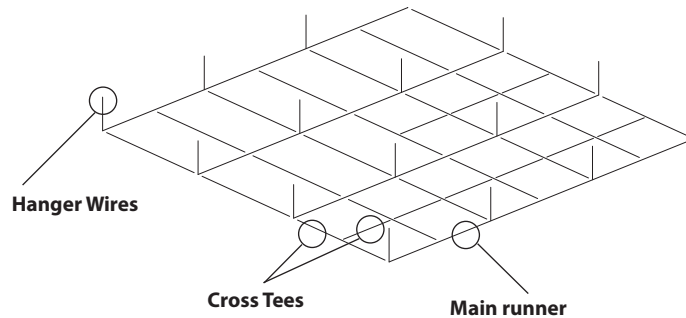


SpanAir™ Torsion Spring Panel

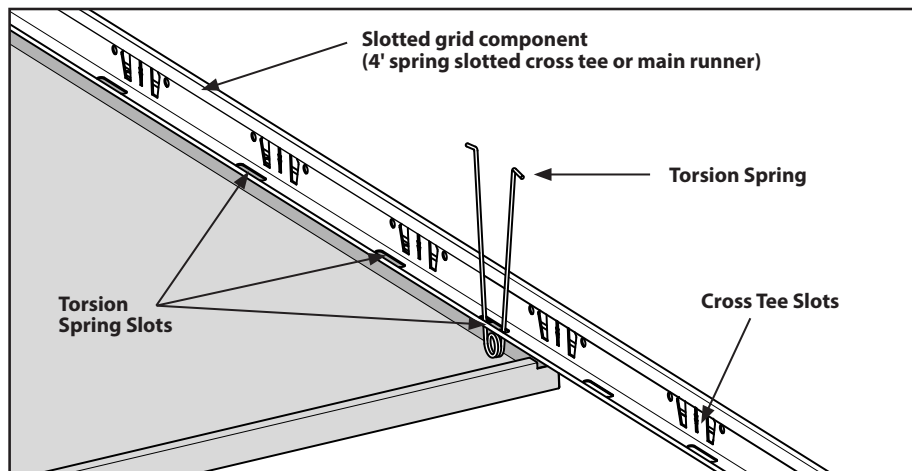
2. Suspension system installation

- 2.1 Layout of the suspension should be detailed in the project construction drawings.
- 2.2 Installation of the suspension must conform to all local building codes and standards in every respect. Please refer to ASTM C636 for additional information.
- 2.3 O.C spacing of spring slotted grid components should be coordinated with torsion spring locations on panel. (i.e. - 2' o.c, 4' o.c, 6' o.c.) - Cross tee slots in spring slotted grid components do not determine panel joint location.
- 2.4 Unless directed otherwise in the construction drawings, main runners are to be installed 4' on center and supported by a minimum 12 gage hanger wire. Hanger wires are to be spaced no more than 4' on center along the length of each main runner.
- 2.5 Cross tees must be installed in consecutive rows to match the panel length (24" or 48").
- 2.6 The weight of accessories must not exceed the load carrying capabilities of the system.

2.2 Position hanger wire



2.1 Installation detail



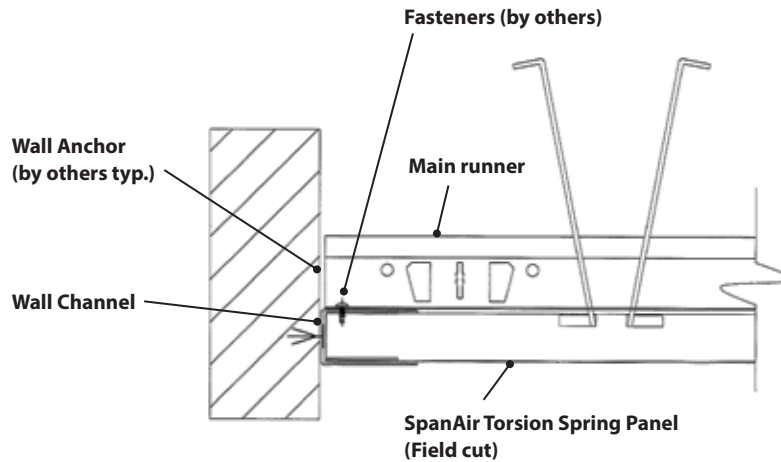
SpanAir™ Torsion Spring Panel

Note: Panel installations that finish at the wall are trimmed out by wall channel, wall angle, shadow-mold or perimeter trim components.

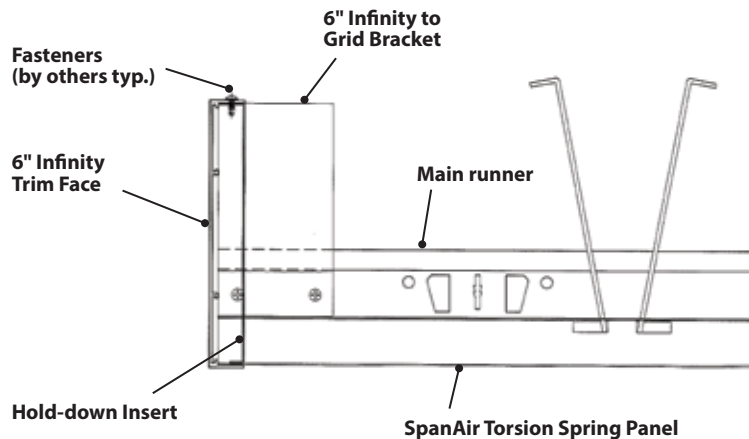
3. Installing perimeter treatment

- 3.1 Secure the specified perimeter treatment at the proper elevation on the walls as required by the construction drawings. This perimeter treatment will support the torsion spring panels that terminate at the wall.
- 3.2 Use hold down inserts to hold cut edge of torsion spring panels in place at perimeter treatment. Use a minimum of one hold down insert per foot of torsion spring panel width to maintain proper contact with trim edge.

3.1 Perimeter channel with hold down inserts



3.2 6" Infinity with hold down inserts



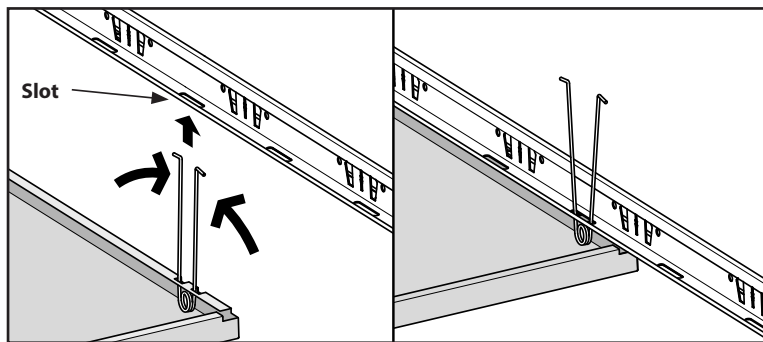
SpanAir™ Torsion Spring Panel

4. Torsion spring panel installation and removal

- 4.1 Panels are shipped with springs compressed/engaged in the panel. USE CAUTION WHEN DISENGAGING DUE TO THE FORCE OF THE SPRINGS.
- 4.2 Install full size torsion spring panels by compressing and inserting one spring at a time into the pre-punched torsion spring slots.
- 4.3 After all springs are inserted into torsion spring slots, push upward one edge at a time until springs engage.

- 4.4 Verify panel joint alignment as installation progresses, adjust accordingly.
- 4.5 Torsion spring panel removal or access to the plenum is achieved by pulling down on one panel side to disengage the springs. The torsion spring system will allow access to the plenum through all panels.

Note: Caution! - The pulling force of the torsion springs is very strong therefore care must be taken when putting panels in place. Make sure that fingers are kept away from the edges when panels are being snapped in place.



SpanAir™ Torsion Spring Panel

5. Cleaning

- 5.1 Select a mild, non-abrasive cleaning agent typically used for cleaning painted or reflective surfaces. Never use abrasive cleaning agents as such treatments may scratch, mar, alter, discolor, and/or remove the finish.
- 5.2 Before cleaning the finish, perform a trial test on a section of the finish that will be hidden from view once installed. This will insure that the cleaning agent selected is appropriate and will not damage the finish in question.
- 5.3 Once an appropriate cleaning solution has been selected, care should be taken to use only that amount which is necessary. Do not soak the ceiling components with the solution.
- 5.4 Use a clean soft sponge or cloth when applying the cleaning agent in order to insure that the applicator does not contain any abrasive elements that may damage the finish in question.
- 5.5 Any excess cleaning solution should be removed immediately so that the solution does not dry and possibly leave a residue. In the event that a large area needs to be cleaned, it's advisable to break the area down into smaller, more manageable sections so that adequate time is available to complete each phase of the cleaning cycle.
- 5.6 After cleaning the soiled or smudged area, wipe the surface with a dry soft cloth to remove any residual cleaning solution and dry the area. Use a clean damp cloth to remove any residue that cannot be removed with the dry cloth. Repeat the drying process.
- 5.7 After the components are clean, allow a few minutes for air drying before installation. It is important that the clean components are dry because other ceiling material, such as insulation, which may come into contact with the cleaned components, can be susceptible to damage from moisture.