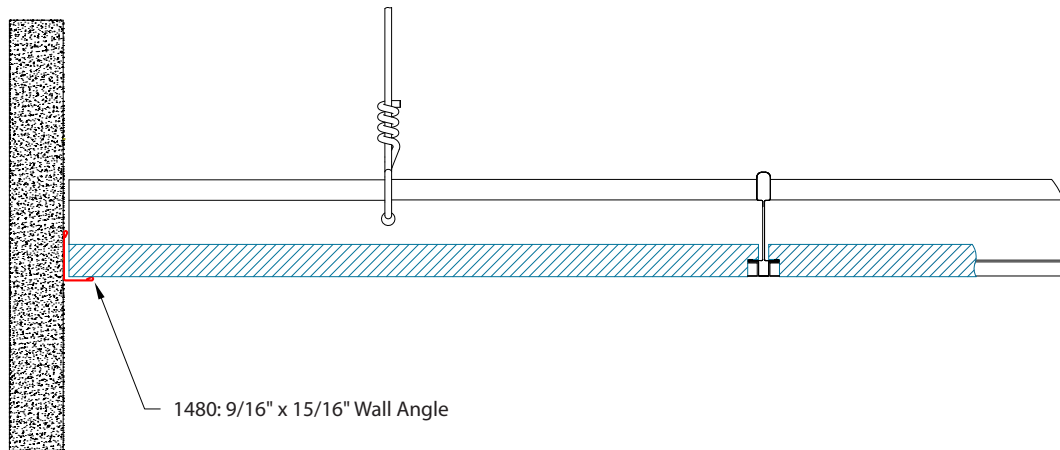


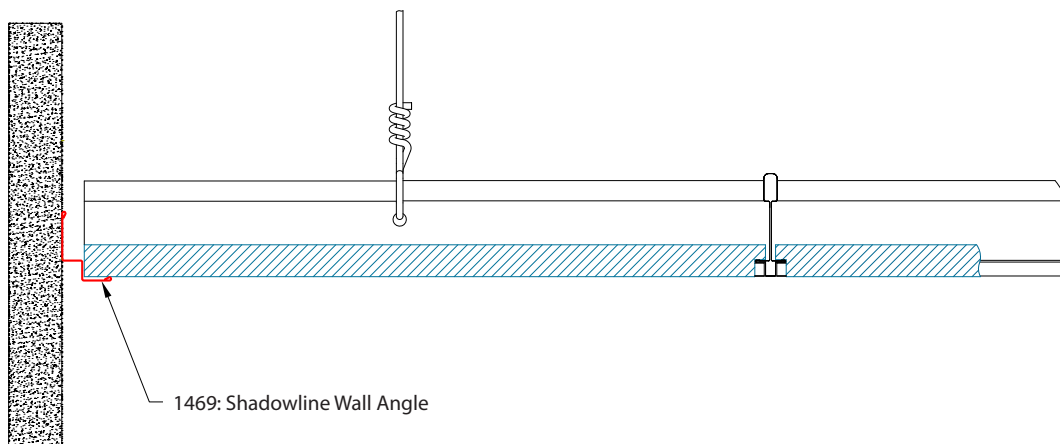
Chicago Metallic™ Integrity™ Perimeter Details

STANDARD PERIMETER DETAILS

Integrity 4200 System with the 1480 Wall Angle

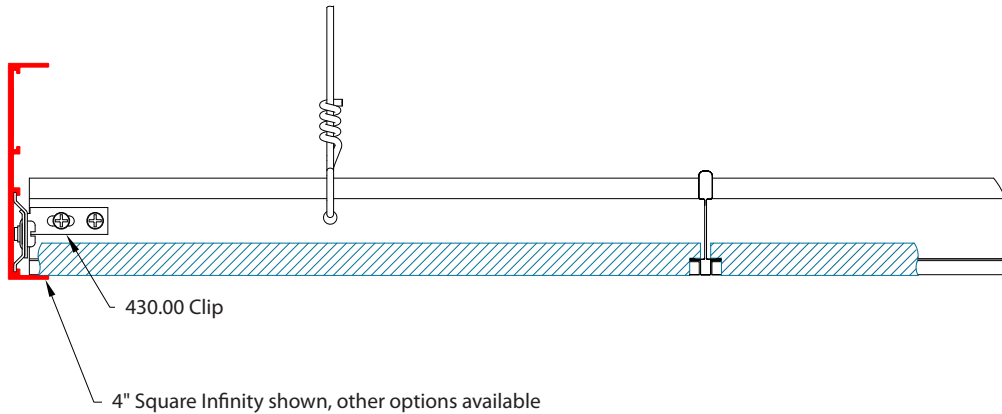


Integrity 4200 System with 1469 Shadowline



Chicago Metallic™ Integrity™ Perimeter Details

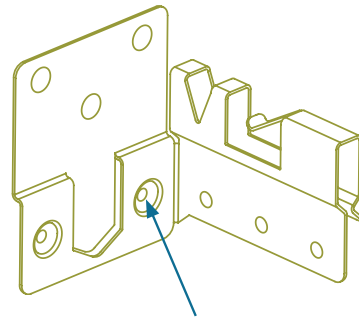
Integrity Perimeter Detail 4200 System with Infinity Integration



SEISMIC PERIMETER DETAILS

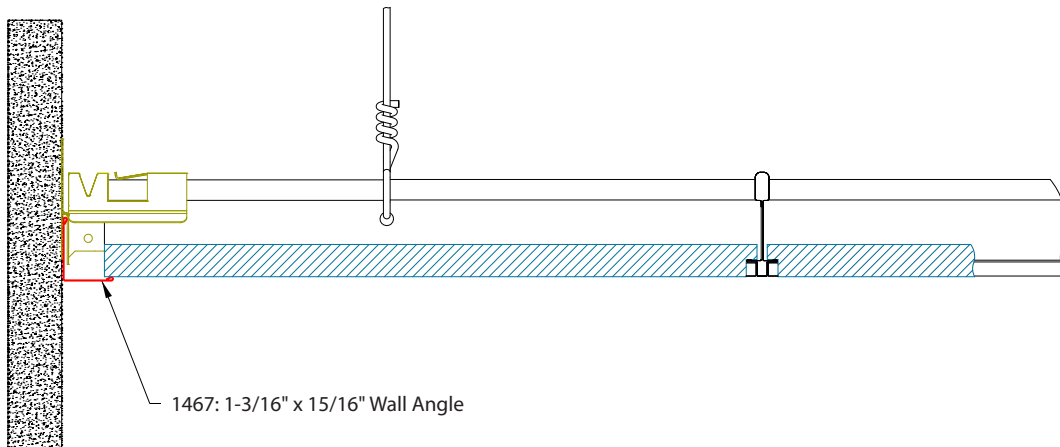
Installation Details for the Integrity System Using the 1496 Clip in Seismic Categories D, E & F

For more installation details, reference Rockfon ICC-ES document, ESR-2631. Quantity: 1 #7, 7/16" sharp-point screw is required in the inner hole to secure the clip to the wall angle for all shadowline wall enclosures. All other details installed per ASTM E580. Consult with local engineer of record or authority having jurisdiction to verify compliance for your project.



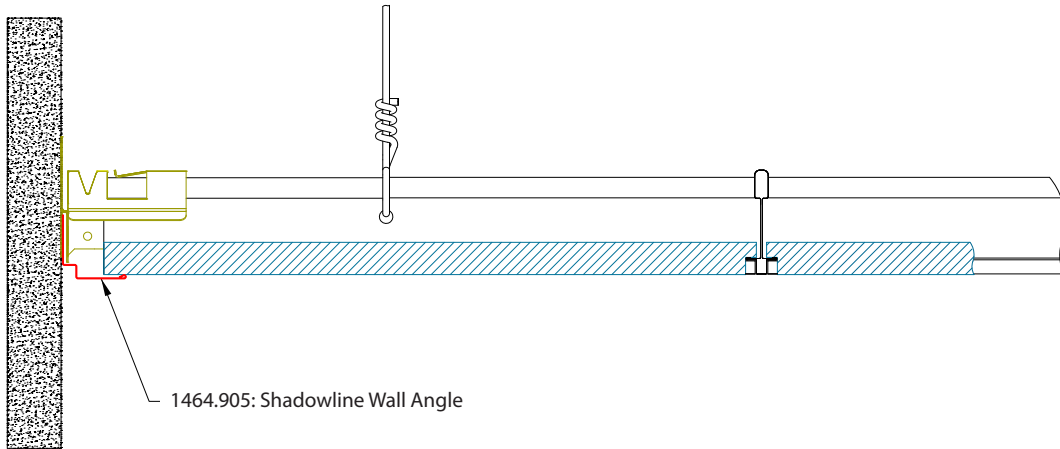
Screw location for Shadowline

Integrity 4200 System Using the 1496 Clip with the 1467 Wall Angle



Chicago Metallic™ Integrity™ Perimeter Details

Integrity 4200 System Using the 1496 Clip and 1467.905 Shadowline Wall Angle



Have questions?

Contact the Rockfon Technical Services Team by calling 800-323-7164 and we can provide assistance on your project.



Rockfon 4849 SOUTH AUSTIN AVE., CHICAGO, IL 60638 / USA and Canada: 800-323-7164 / Fax: 800-222-3744 / rockfon.com