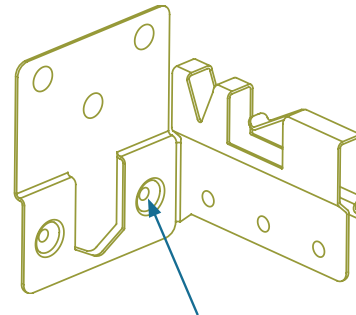


## Seismic Perimeter Details

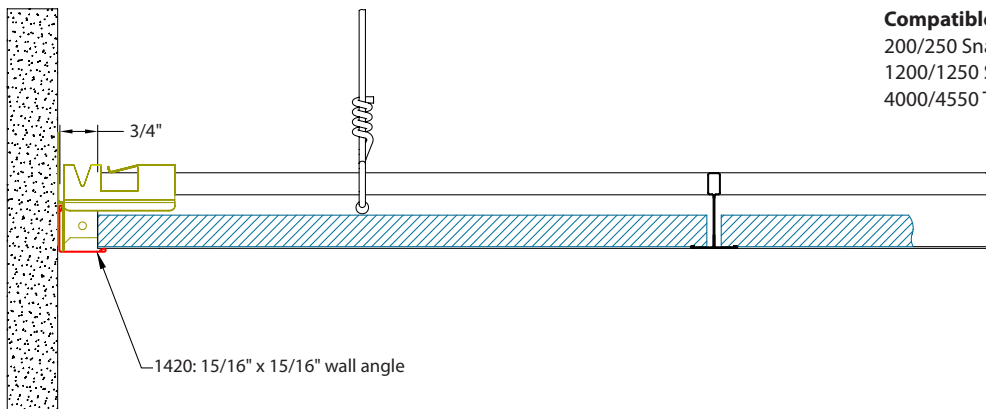
### Installation Details: Chicago Metallic 1496 Seismic Perimeter Clip

For more installation details, reference ROCKFON's ICCES document, ESR-2631. Qty:1 #7, 7/16" sharp point screw is required in the inner hole to secure the clip to the wall angle for all shadowline wall enclosures. All other details installed per ASTM E580. Consult with local engineer of record or authority having jurisdiction to verify compliance for your project.



Screw location for Shadowline

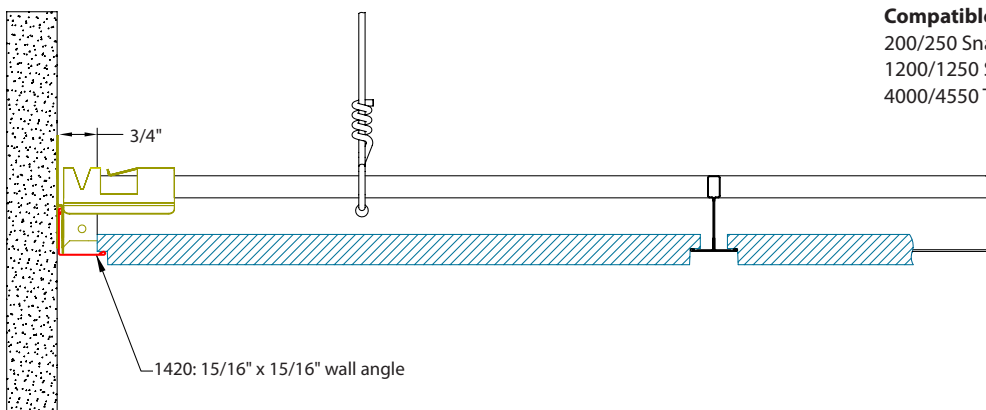
### 1496 with 1420 Wall Angle: Square Edge Panels



#### Compatible Systems

200/250 Snap-Grid™ 15/16" Exposed  
1200/1250 Seismic 15/16" Exposed  
4000/4550 Temptra™ 9/16" Exposed

### 1496 with 1420 Wall Angle: Reveal Panels

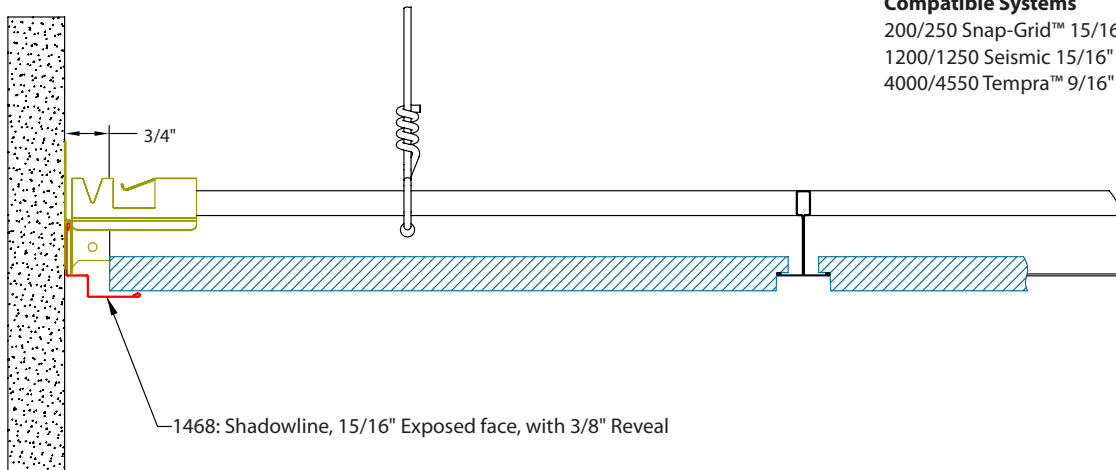


#### Compatible Systems

200/250 Snap-Grid™ 15/16" Exposed  
1200/1250 Seismic 15/16" Exposed  
4000/4550 Temptra™ 9/16" Exposed

# Seismic Perimeter Details

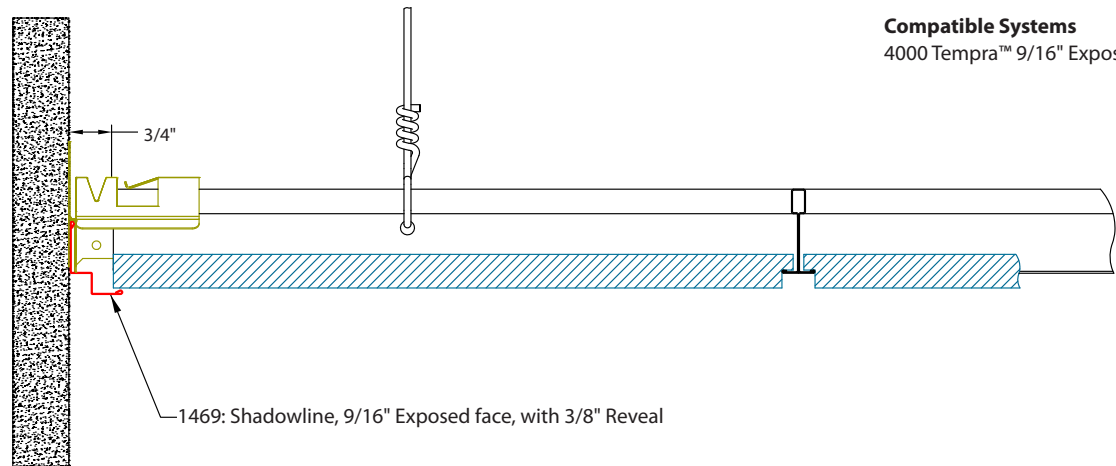
## 1496 with 1468 Shadowline with Reveal Panels



### Compatible Systems

- 200/250 Snap-Grid™ 15/16" Exposed
- 1200/1250 Seismic 15/16" Exposed
- 4000/4550 Tempra™ 9/16" Exposed

## 1496 with 1469 Shadowline with Reveal Panels

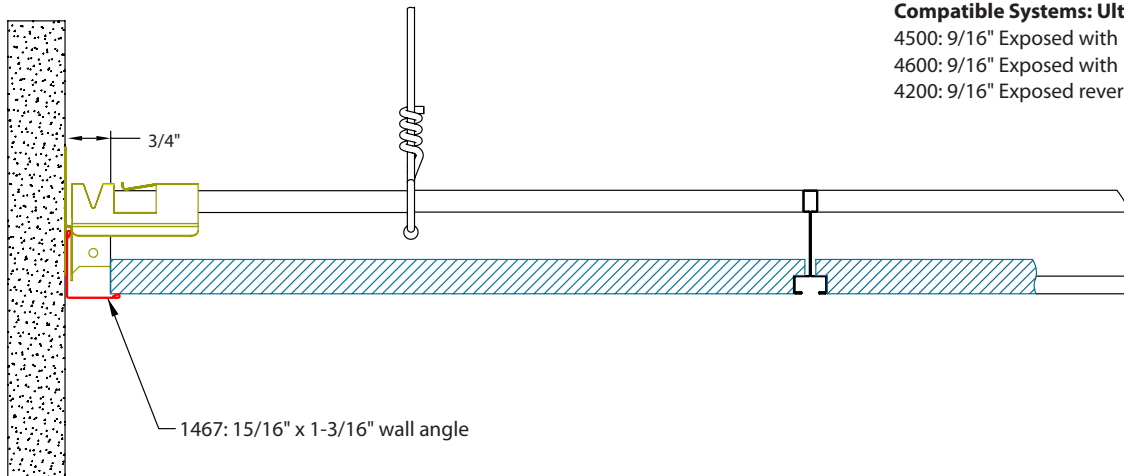


### Compatible Systems

- 4000 Tempra™ 9/16" Exposed

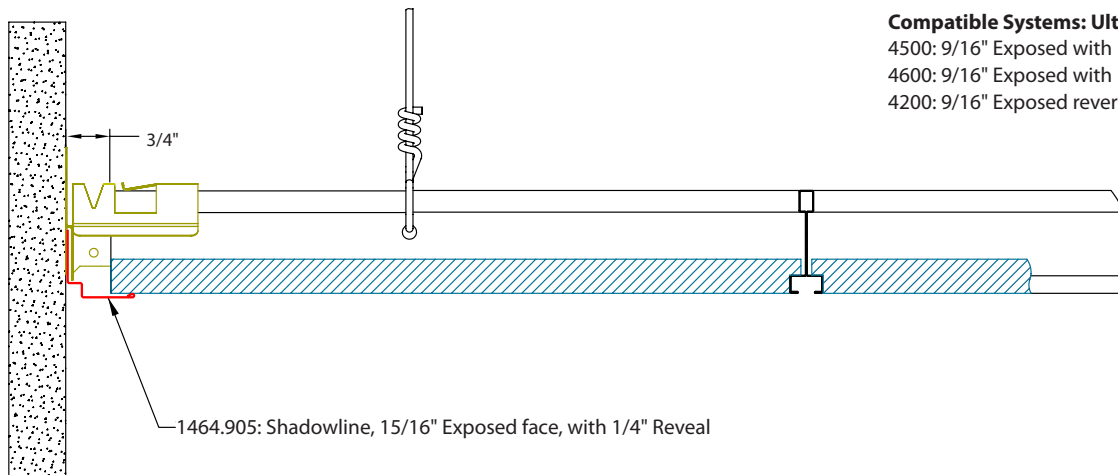
# Seismic Perimeter Details

## 1496 with 1467 Wall Angle: Reveal Panels



**Compatible Systems: Ultraline™**  
4500: 9/16" Exposed with 1/4" Reveal  
4600: 9/16" Exposed with 1/8" Reveal  
4200: 9/16" Exposed reverse Reveal

## 1496 with 1464.905 Shadowline with Reveal Panels



**Compatible Systems: Ultraline™**  
4500: 9/16" Exposed with 1/4" Reveal  
4600: 9/16" Exposed with 1/8" Reveal  
4200: 9/16" Exposed reverse Reveal

### Have questions?

Contact the ROCKFON Technical Services Team by calling 800-323-7164, prompt 3 and we can provide assistance on your project.



ROCKFON 4849 SOUTH AUSTIN AVE., CHICAGO, IL 60638 / USA and Canada: 800-323-7164 / Fax: 800-222-3744 / rockfon.com